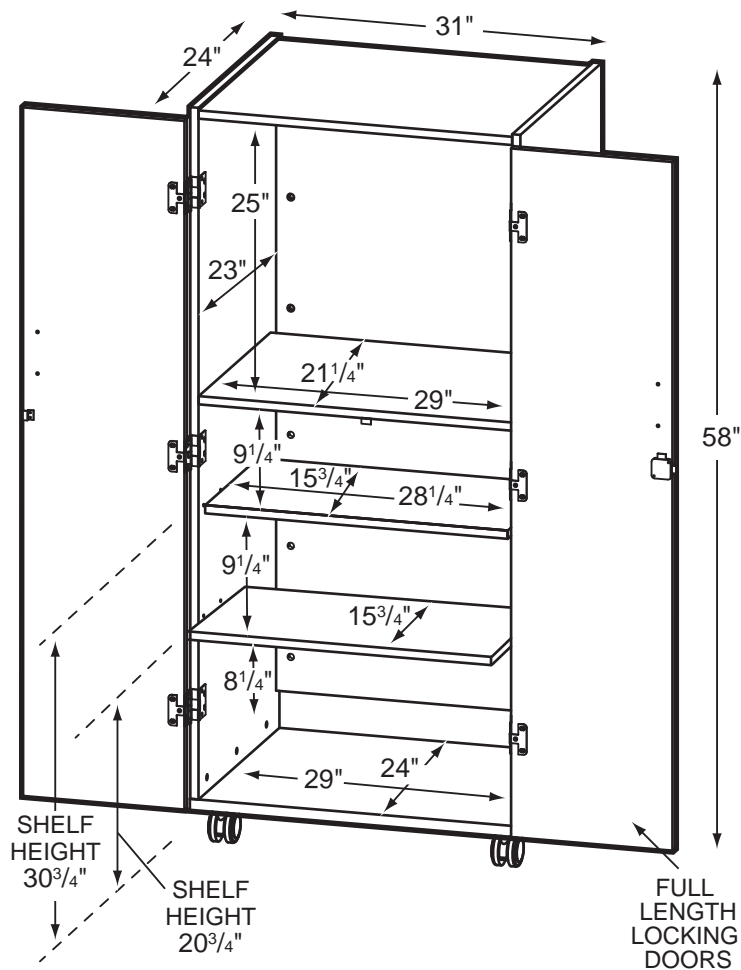


# VC2

## Video Cabinet



### Product Specs

- 1" thermal fused laminate bottom
- 3/4" thermal fused laminate
- Cam and post construction
- Matched edge banding
- Fixed storage shelf
- Pull out shelves on 2/3 extension steel slide
- Locking doors with 270 deg. hinge
- 4" plate casters (2 locking)

1107